

Quick Start Guide for Nodegrid Gate SR

Security Warning

Nodegrid Gate SR (GSR) provides extensive access to the devices attached to it. Precautions must be taken to avoid compromising your security policies.

From the factory, this equipment is shipped with the following settings:

- DHCP, SSHv2, HTTPS – ENABLED
- All Serial, USB, SFP+ and switch ports – DISABLED
- Ethernet – ENABLED

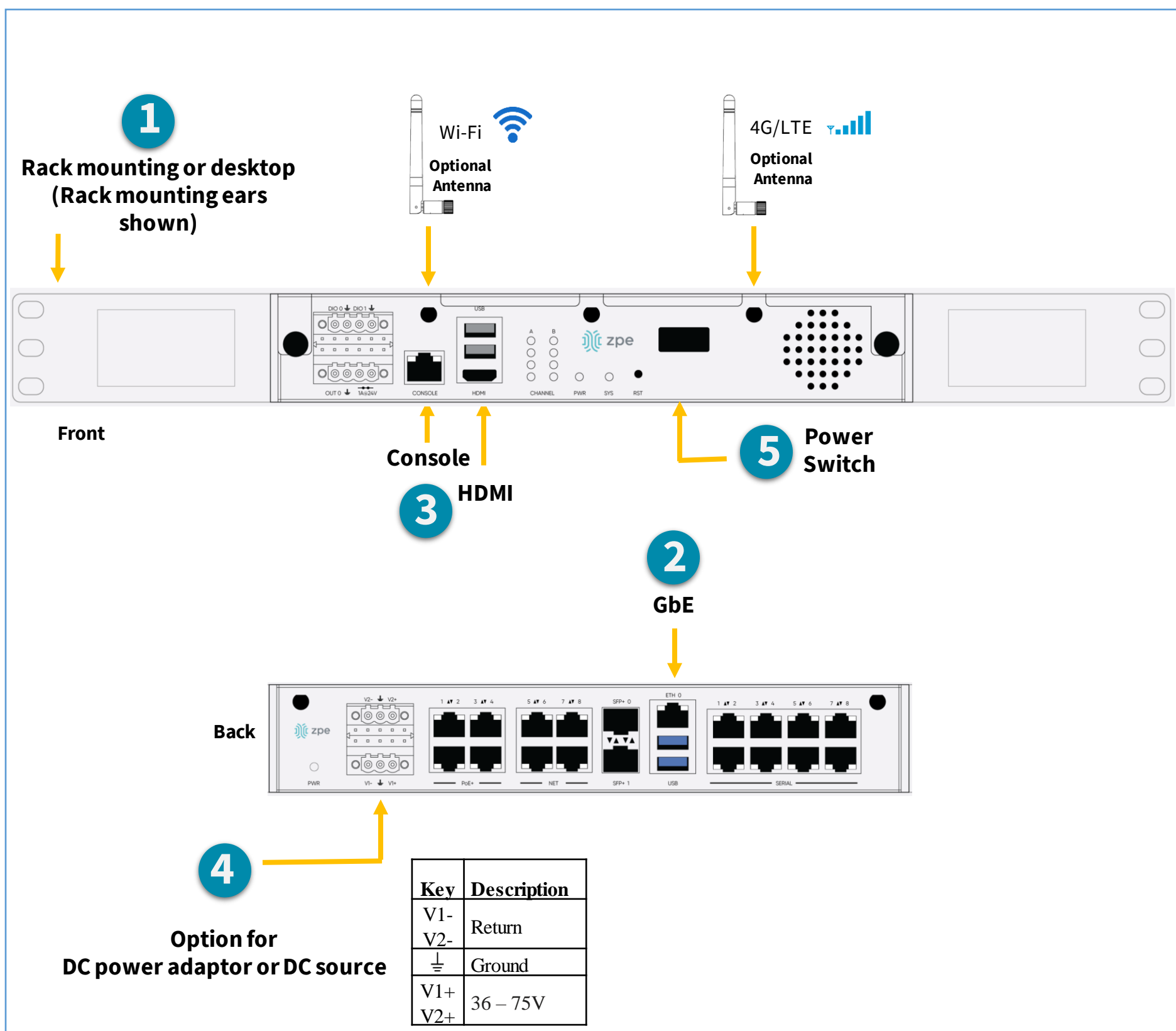
Users will be required to create a password the first time they login to the device.

Note: root access has been disabled for security reasons.

Please consult the *Nodegrid User Guide* for more information on security settings.

Please review the *GSR Safety Information* before installation.

This equipment is intended only for installation in a **RESTRICTED ACCESS LOCATION**.



1 Desktop or rack mount your GSR

For detailed rack mounting instructions, see the *GSR User Guide*.

2 Connect to your network

Connect a ZPE-recommended CAT 5e or CAT 6 cable from the 10/100/1000BaseT port to your network.

3 Connect to the Serial Console port

Using the ZPE’s RJ-45 console adaptor, connect a terminal or workstation to the serial console port on the GSR. The GSR will be configured using a terminal or terminal emulator with session settings of: 115200 bps, 8, N, 1 no flow control.

Alternatively, use the HDMI port.

4 Connect power cables

Connect the power cables to the appliance.

5 Turn GSR on

Turn on the power switches.

Note: All remaining manual setup steps are required the first time you configure your GSR.

For manual downloads and support, visit: www.zpesystems.com/document-library/
For further assistance please contact ZPE Technical Support support@zpesystems.com

Quick Start Guide for Nodegrid Gate SR

6 Configure network parameters

NOTE: Skip to **step 7** if you have a DHCP environment. DHCP is the default IP configuration. If no DHCP server is available, please log in to Nodegrid Gate SR via its console or HDMI port using **admin** credentials and configure a static IP address using CLI instructions as follows:

```
[admin@nodegrid /]# cd /settings/network_connections/ETH0
[admin@nodegrid ETH0]# set ipv4_mode=static
[+admin@nodegrid ETH0]# set ipv4_address=10.0.0.10
[+admin@nodegrid ETH0]# set ipv4_bitmask=24
[+admin@nodegrid ETH0]# set ipv4_gateway=10.0.0.1
[+admin@nodegrid ETH0]# show
name: ETH0
type: Ethernet
ethernet_interface = eth0
description =
connect_automatically=yes
set_as_primary_connection = yes
enable_lldp = no
ipv4_mode = static
ipv4_address = 10.0.0.10
ipv4_bitmask = 24
ipv4_gateway = 10.0.0.1
ipv4_dns_server =
ipv4_dns_search =
ipv4_default_route_metric = 90
ipv4_ignore_obtained_default_gateway=no
ipv6_mode = address_auto_configuration
ipv6_dns_server =
ipv6_dns_search =
ipv6_default_route_metric = 90
ipv6_ignore_obtained_default_gateway=no
[+admin@nodegrid ETH0]# commit
```

7 Configure serial, network & USB devices

Note: Your GSR will respond over the network at **192.168.160.10** if your DHCP server fails or is unavailable.

Note: To check your current IP address, connect to the GSR console port and hit **Enter** at the login prompt until you see the IP address of ETH0 interface.

To configure the GSR for the first time via Network:

a) Open a web browser (HTTP/S) and enter the GSR IP address in the address field. Or start an SSH session to your GSR's IP address.

b) Log in to your GSR as **admin**.

c) Set your GSR basic configuration:

- Security

Security, Services page: Select the desired services and Ports, cryptographic protocols and cipher suite levels. Click **Save** when finished.

Authentication page: add your Remote Authentication servers (AD, LDAP, Tacacs+, Radius and/or Kerberos). Click **Save** when finished.

Authorization page: create users groups, set profiles and assign devices. Click **Save** when finished.

- Network

Network Settings tab: Set your desired Network parameters. Click **Save** for each submenu.

Network Connections tab: Set your desired Network Interfaces parameters. Click **Save** for each submenu.

- Serial and USB ports

Managed Devices tab: Enable and configure your desired serial and USB ports.

- Change Admin Password

At any time, click admin@domain.com in the upper right corner of your screen and click "Change Password" to change your system password. Click **Save** when finished.

Congratulations!

Your Nodegrid Gate SR is now configured and ready to accept users and connections to its ports and interfaces.

8 Additional Configuration

NOTE: We recommend that you set up a **new** Administrator account (in *admin* group with full privileges) and use the new account instead of the default *admin* account.

Add New Users

Click Security tab, Local Accounts, Add, set options, **Save**.

Alerts & logging

Set and send alerts by email, SMS, and/or SNMP.

Power

Control network attached PDU power strips and server, network and storage devices.

For advanced configuration options, please refer to the *Nodegrid User Guide*.

9 Get technical updates

To automatically receive future firmware updates and technical information, sign up here:

www.zpesystems.com/loop/